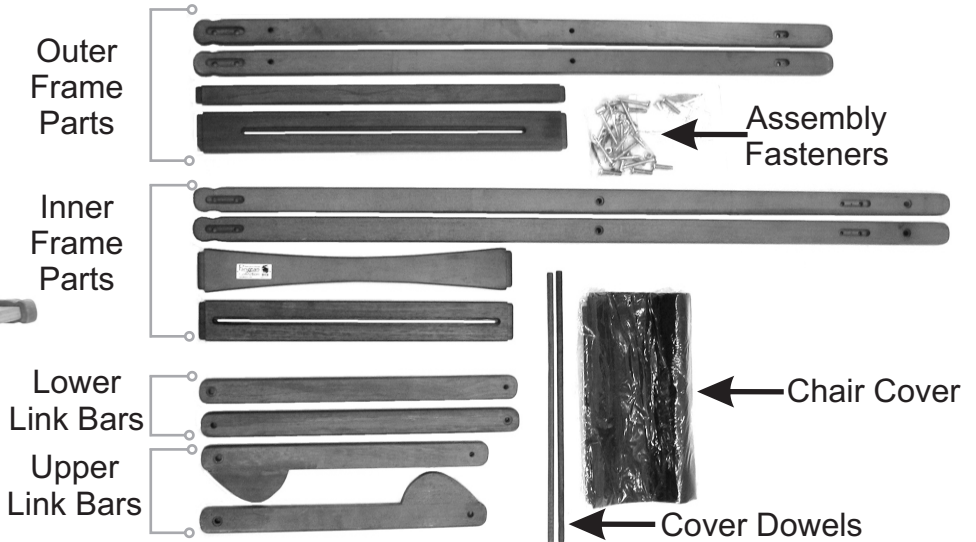
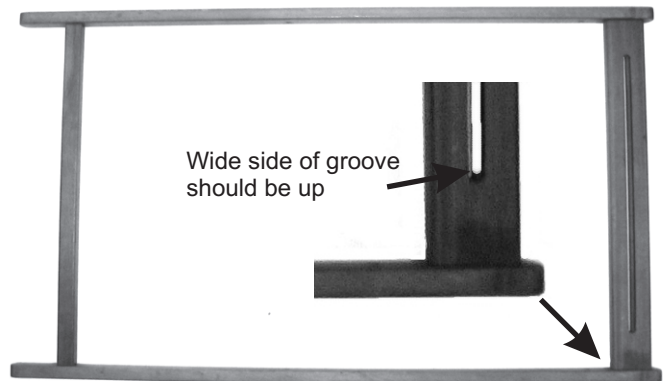


# Pangean Glider Assembly Instructions



## Outer Frame Assy.



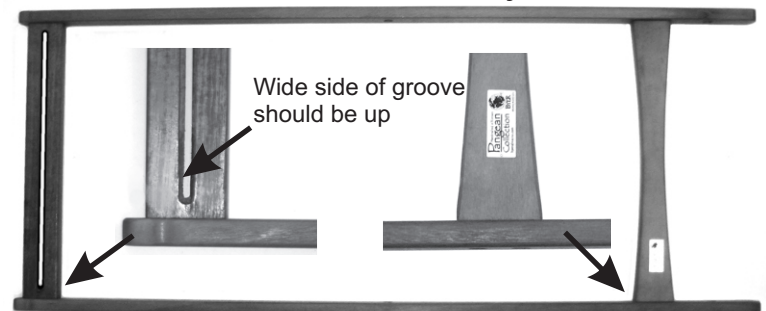
**Hint!** Steps one to four should be done on the floor or other large flat surface

**STEP ONE**

Assemble Outer Frame with 6 - ① Screws



## Inner Frame Assy.





**STEP TWO**


Assemble Inner Frame with 8 - ① Screws

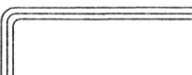
### Fastener List with Key Numbers

**Key #**

①  Screw M7 x 60mm (14 pcs)

②  Bolt M8 x 40mm (8 pcs)

③  Plastic Washer (8 pcs)

 Allen Key (1 ea.)



The Byer Manufacturing Co.  
 74 Mill Street PO Box 100  
 Orono, ME 04473 USA  
 Phone 800-338-0580 Fax 207-866-3529  
 www.byerofmaine.com  
 comfort@byerofmaine.com

**If you have a problem, we want to help you**  
**DO NOT** return to the retailer until you have sought our help

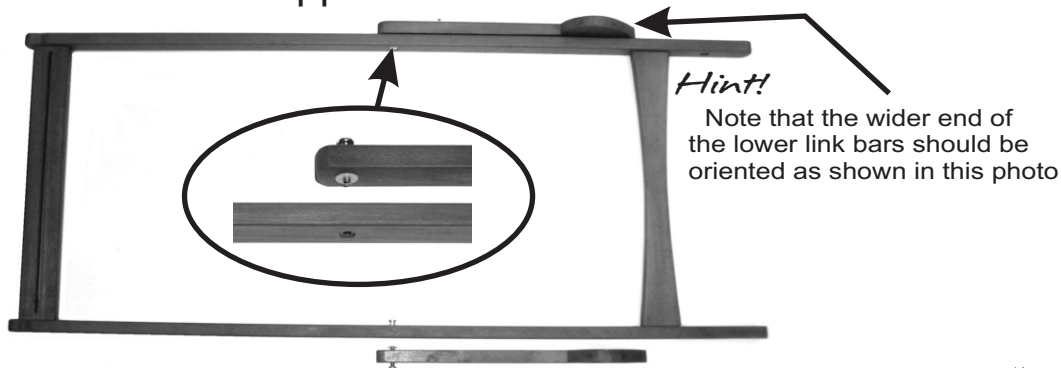
Contact us – You will find us very responsive!

## Inner Frame w/upper Link Bars

STEP THREE

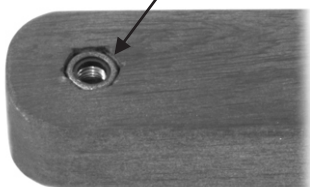
Assemble two (2) upper link bars to Long Frame \ w/2 ea - ②&③

**Hint!** Flip Long Frame over with nameplate down for this step



### Important Note!

In steps three and four, the #② bolts are screwed into nuts that are embedded in the wood rails. See photo below:

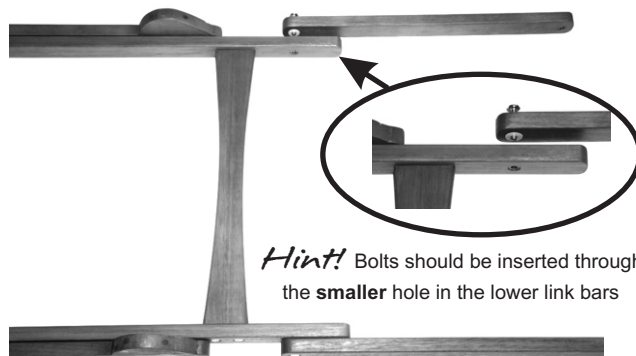


## Inner Frame w/lower Link Bars

STEP FOUR

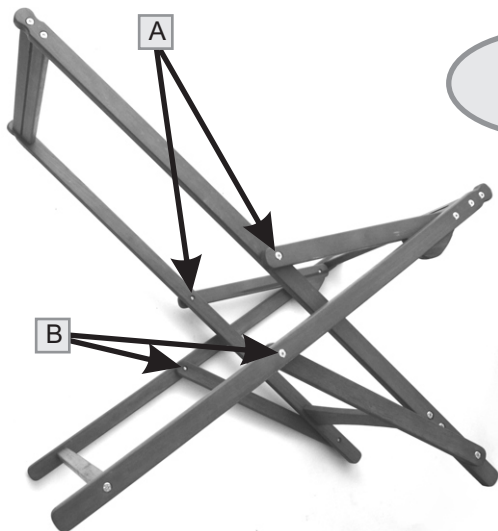
Assemble two (2) lower link bars to Long Frame w/2 ea - ②&③

**Hint!** Bolts should be inserted through the smaller hole in the lower link bars



STEP FIVE

**Hint!** Lay the two frame halves on their side on the floor as shown at left for easier assembly.



**A** Slide the Outer Frame over the Inner Frame and link bars, aligning the remaining holes in the upper link bars with the holes in the Outer Frame closest to the slotted cross rail. Fasten with w/2 ea - ②&③

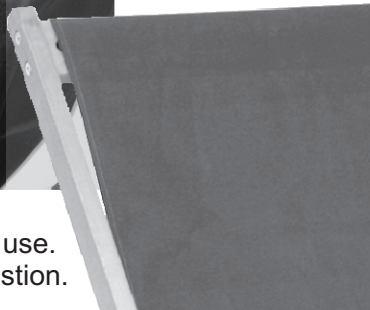
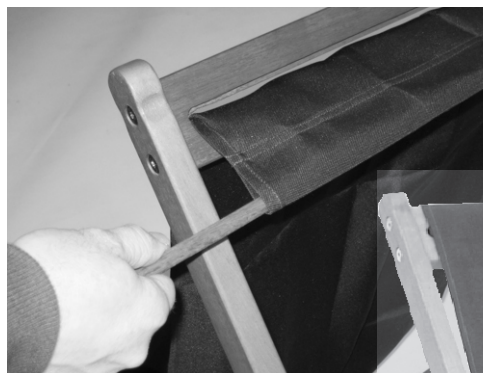
**B** Align the two remaining holes in the lower link bars with the last holes in the Outer Frame and fasten w/2 ea - ②&③

STEP SIX

Slide fabric cover up through upper slotted crossrail, insert dowel and seat the dowel in the slot securely. Draw the lower end of the fabric cover over the lower slotted rail and up through the slot, insert second dowel and seat securely in the slot

**Hint!**

Fabric cover wraps over the slotted cross rails as shown in the photos below.



Your Pangean Glider is now ready for use. Remember, call us if you have any question. We are here to help you